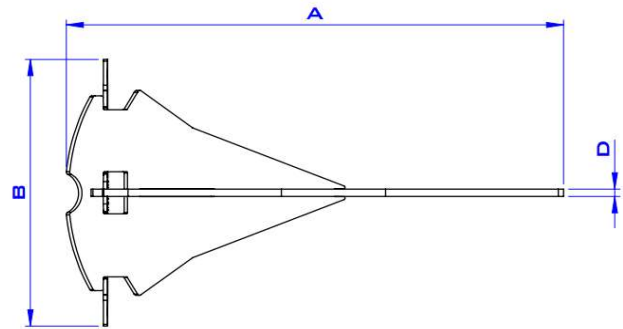
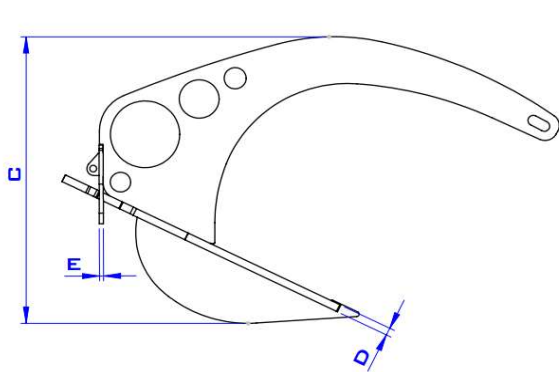


DROP - MEASUREMENTS BOARD



MODEL	MATERIAL	WEIGHT (LB)	SHACKLE	A (IN)	B (IN)	C (IN)	D (IN)	E (IN)
DP6ST	STAINLESS STEEL	14,33	Ø 1/4	22,6	12,6	12,28	0,31	0,16
DP10ST	STAINLESS STEEL	22,71	Ø 1/4	25,24	14,06	14,06	0,39	0,2
DP15ST	STAINLESS STEEL	32,85	Ø 1/4	30,47	16,89	16,89	0,39	0,2
DP21ST	STAINLESS STEEL	48,28	Ø 5/16	33,46	18,7	18,7	0,47	0,24
DP26ST	STAINLESS STEEL	56,88	Ø 5/16	36,34	20,28	20,28	0,47	0,24
DP35ST	STAINLESS STEEL	78,71	Ø 5/16	38,15	21,26	21,26	0,59	0,31
DP40ST	STAINLESS STEEL	89,95	Ø 1/2	40,79	22,76	22,76	0,59	0,31