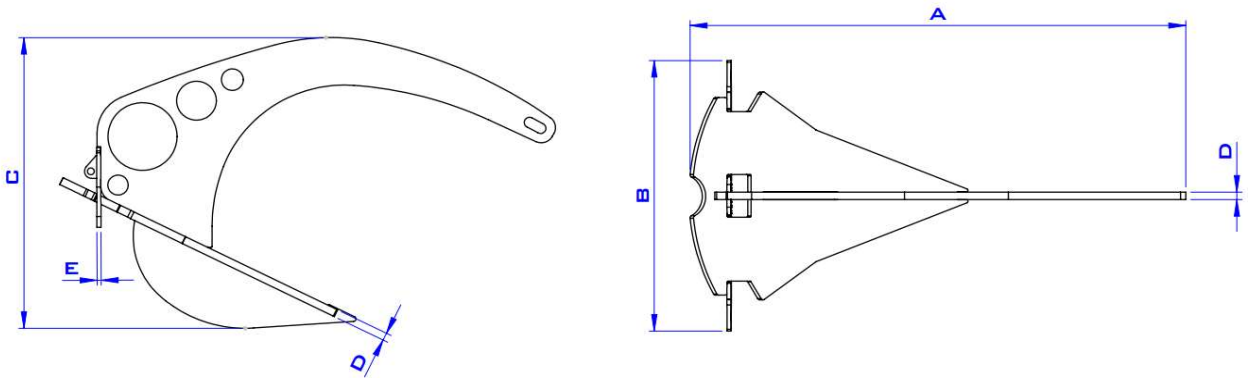


DROP - MEASUREMENTS BOARD



MODEL	MATERIAL	WEIGHT (KG)	SHACKLE	A (MM)	B (MM)	C (MM)	D (MM)	E (MM)
DP6ST	STAINLESS STEEL	6,5	∅6	575	320	316	8	4
DP10ST	STAINLESS STEEL	10,2	∅6	643	357	352	10	5
DP15ST	STAINLESS STEEL	14,8	∅8	770	429	424	10	5
DP21ST	STAINLESS STEEL	21,7	∅8	850	475	469	12	6
DP26ST	STAINLESS STEEL	25,6	∅8	926	515	510	12	6
DP35ST	STAINLESS STEEL	35,4	∅12	972	540	531	15	8
DP40ST	STAINLESS STEEL	40,5	∅12	1039	578	572	15	8