



ANKERPLEX®

DROP



**No welding, no bending, no lead filling. Just engineering.
The ultimate bow anchor.**

- **Perfect fit** for most anchor rollers and bowsprits on all types of boats.
- **Self-launching** and optimal positioning thanks to its balance of shapes and masses.
- **Instant setting and repositioning ability:** Its optimised design allows immediate and deep holding on most bottoms and excellent resetting in changes of trajectory due to wind or tide.
- **High performance.** Holding power superior to traditional anchors of similar weight, tripling at least that of Hall or Navy type anchors.
- **Elite construction:** Manufactured entirely from AISI 304 stainless steel with electropolishing treatment. Maximum corrosion resistance and finish that enhances the aesthetics of any vessel.
- **Three-Dimensional engineering without welding:** Ankerplex's patented "Mechanical Interlocking" without welding, screws or bending, provides long-term solutions to critical issues such as structural stress, galvanic corrosion, cracking, embrittlement, etc. A solid and ultra-resistant block.

Like the Ankerplex Classic model, the Drop version offers all the advantages related to ease of manufacturing and assembly in minimal time, as well as for transport, logistics, and storage, thanks to its small size when folded, which in turn implies a **lower impact on the environment**.

ANKERPLEX®, THE SIMPLEST AND EFFECTIVE ANCHOR IN THE WORLD

TECHNICAL FEATURES:

Ankerplex Drop is manufactured and sold in various sizes to meet the main bower anchoring needs of all types of vessels: from small boats and sailboats to yachts over twenty tons.

Its design is intended to be the strongest component of the whole anchoring system. It is manufactured from high-quality standard **AISI 304 stainless steel** cut sheets, followed by surface treatment through **electropolishing**. This process provides superior protection by selectively removing iron from the surface, creating a dense and **resistant chromium-rich barrier that offers maximum protection against abrasion, corrosion** and sediment buildup in marine and extreme environments.

No welding or bending processes are involved in its manufacture, guaranteeing that its characteristics remain unchanged for its lifetime.

Ankerplex Drop has undergone destructive strength testing by specialised independent laboratories. The results confirm a tensile strength that is consistently superior to that of the corresponding anchor line, chain, and their interconnections. (Access to tests: www.ankerplex.eu)



WARRANTY:

Ankerplex anchor is manufactured using a rigorous quality control process from selected materials and is verified by specialists, unit by unit. However, for a period of **5 years** from the date of purchase, the manufacturer will replace the unit or any of its components in the event of any defect or deficiency in the materials used or in the manufacturing process.

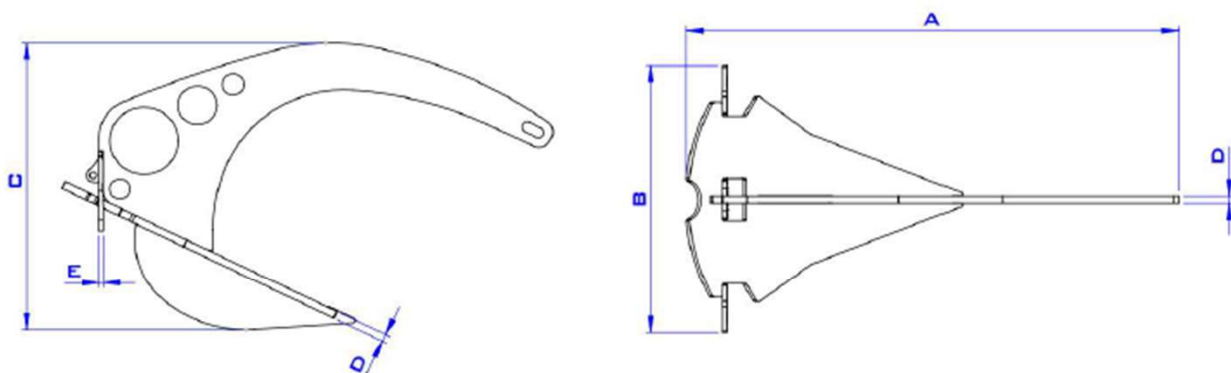
INTERNATIONAL TRADE MARK "ANKERPLEX" 1734706
INTERNATIONAL PATENT: PCT/ES2023/070416
MADE IN SPAIN – EU

CONTACT:
ANKERPLEX INTERNATIONAL, S.L
C/ Pi y Margall 117
(SPAIN)
Telf. : (34) 986470077
info@ankerplex.eu
www.ankerplex.eu



DISTRIBUIDOR:

DROP - MEASUREMENTS BOARD



MODEL	MATERIAL	WEIGHT (Kg)	SHACKLE	A (MM)	B (MM)	C (MM)	D (MM)	E (MM)
DP6ST	STAINLESS STEEL	6,5	∅6	574	320	312	8	4
DP10ST	STAINLESS STEEL	10,3	∅6	641	357	348	10	5
DP15ST	STAINLESS STEEL	14,9	∅8	774	429	417	10	5
DP21ST	STAINLESS STEEL	21,9	∅8	850	475	463	12	6
DP26ST	STAINLESS STEEL	25,8	∅8	923	515	502	12	6
DP35ST	STAINLESS STEEL	35,7	∅12	969	540	527	15	8
DP40ST	STAINLESS STEEL	40,8	∅12	1036	578	564	15	8

